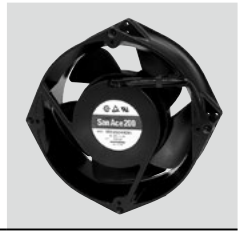


Ø **200x70** mm

**San Ace 200 9EC** type   



**General Specifications**

- Material ..... Frame: Aluminum (Black coating), Impeller: Plastic (Flammability: UL 94V-1)
- Expected life ..... See the table below. (L10 life: 90% survival rate for continuous operation in free air at 60°C, rated voltage)  
Expected life at 40°C is for reference only.
- Motor protection function ..... Locked rotor burnout protection, Reverse polarity protection  
For details, please refer to p. 608.
- Dielectric strength ..... 50/60 Hz, 500 VAC, for 1 minute (between lead wire conductors and frame)
- Insulation resistance ..... 10 MΩ min. at 500 VDC (between lead wire conductors and frame)
- Sound pressure level (SPL) ..... A-weighted sound pressure level (SPL) at 1 m away from the air inlet.
- Storage temperature ..... -30 to +70°C (Non-condensing)
- Lead wire ..... ⊕Red ⊖Black or Blue Sensor Yellow
- Mass ..... 1800 g

Once the fan stops, wait for at least 10 seconds before restarting the fan.

**Specifications**

The models listed below **have a pulse sensor**.

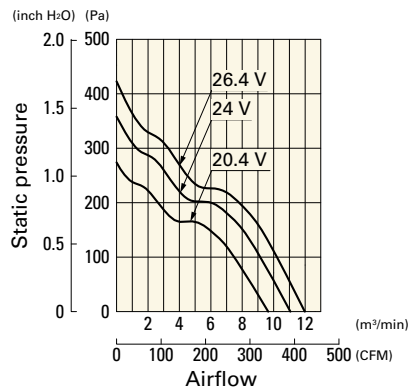
| Model no.          | Rated voltage [V] | Operating voltage range [V] | Rated current [A] | Rated input [W] | Rated speed [min <sup>-1</sup> ] | Max. airflow [m <sup>3</sup> /min] [CFM] | Max. static pressure [Pa] [inchH <sub>2</sub> O] | SPL [dB (A)] | Operating temperature [°C] | Expected life [h]          |
|--------------------|-------------------|-----------------------------|-------------------|-----------------|----------------------------------|--|--|--------------|----------------------------|----------------------------|
| <b>9EC2024H001</b> | 24                | 20.4 to 26.4                | 2.0               | 48.0            | 3600                             | 11.0 388                                 | 360 1.446  | 60           | -20 to +60                 | 40000/60°C<br>(70000/40°C) |
| <b>9EC2048A001</b> | 48                | 43.0 to 51.0                | 2.2               | 105.6           | 4800                             | 14.7 519                                 | 640 2.57   | 68           |                            |                            |
| <b>9EC2048H001</b> |                   | 40.8 to 52.8                | 1.2               | 57.6            | 3600                             | 11.0 388                                 | 360 1.446  | 60           |                            |                            |

Note: Sensor and control options are available for selection. Refer to the table on p. 637.

**Airflow - Static Pressure Characteristics**

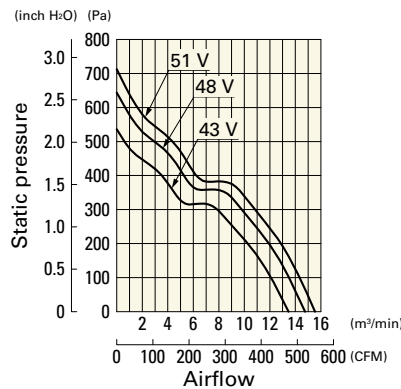
**9EC2024H001** With pulse sensor

Operating voltage range



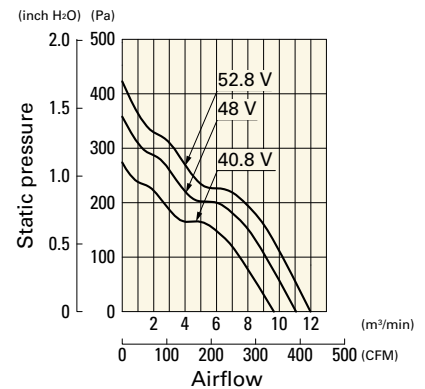
**9EC2048A001** With pulse sensor

Operating voltage range

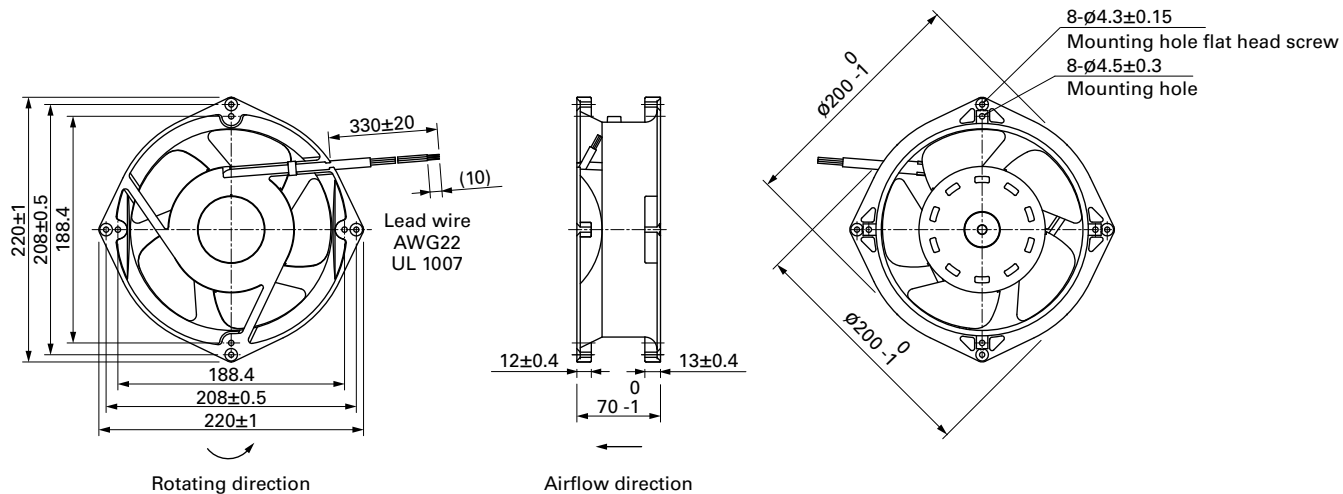


**9EC2048H001** With pulse sensor

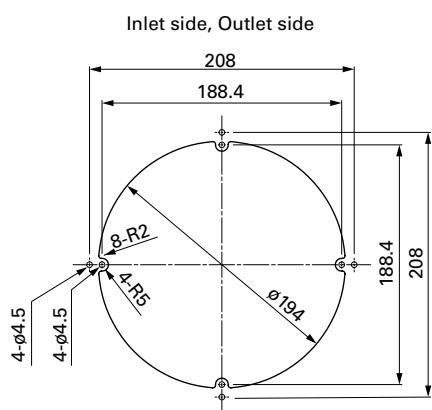
Operating voltage range



**Dimensions (unit: mm)**



**Reference Dimensions of Mounting Holes and Vent Opening (unit: mm)**



**Options**

Finger guards

page: p. 593

Model no.: 109-720, 109-720H