

60mm sq.

San Ace 60

15mm thick (GA type), 15mm thick
 20mm thick (GA type), 20mm thick
 25mm thick (S type), 25mm thick (G type)
 25mm thick, **25mm thick (San Cooler)**
 38mm thick (GA type), 38mm thick (GV type)
 38mm thick (G type)



General Specifications

- Material Frame: Plastics (Flammability: UL94V-0),
 Impeller: Plastics (Flammability: UL94V-0)
- Expected Life Refer to specifications (L10:Survival rate:90% at 60°C ,
 rated voltage, and continuously run in a free air state)
- Lead Wire ⊕red ⊖black or blue (Sensor) yellow
- Storage Temperature -30°C to +70°C (Non-condensing)

60×60×25mm (Mass : 80g) **San Cooler**

Specifications

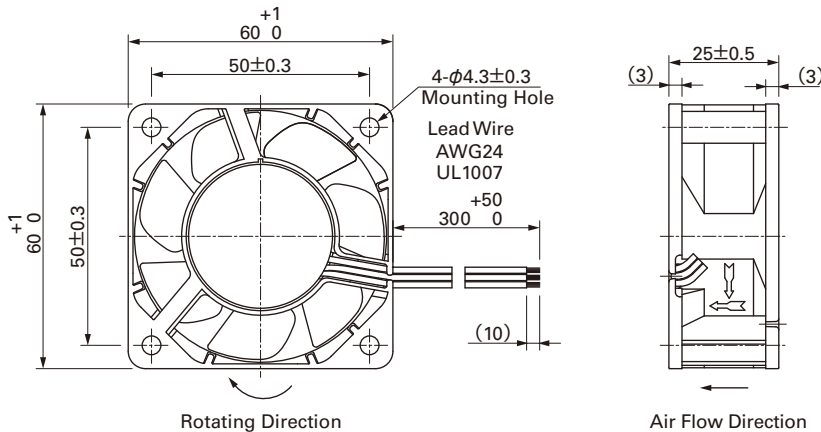
The following nos. **have pulse sensors and ribs**. For ribless, append "1" to the model no.

Model No.	Rated Voltage [V]	Operating Voltage Range [V]	Rated Current [A]	Rated Input [W]	Rated Speed [min ⁻¹]	Max. Air Flow [m ³ /min] [CFM]	Max. Static Pressure [Pa] [inchH ₂ O]	SPL [dB(A)]	Operating Temperature [°C]	Expected Life [h]		
9A0612G401	12	6 to 13.2	0.24	2.88	5,600	0.78	27.6	87.3	0.351	39	-20 to +60	30,000
9A0612S401			0.17	2.04	4,600	0.65	23.0	56.8	0.228	33		
9A0612H401		6 to 13.8	0.11	1.32	3,800	0.53	18.7	40.2	0.161	28	-20 to +70	40,000
9A0612F401			0.09	1.08	3,200	0.44	15.5	29.4	0.118	24		
9A0612M401			7 to 13.8	0.06	0.72	2,600	0.36	12.7	19.6	0.079		
9A0624G401	24	12 to 27.6	0.13	3.12	5,600	0.78	27.6	87.3	0.351	39	-20 to +60	30,000
9A0624S401			0.08	1.92	4,600	0.65	23.0	56.8	0.228	33		
9A0624H401		12 to 27.6	0.06	1.44	3,800	0.53	18.7	40.2	0.161	28	-20 to +70	40,000
9A0624F401			0.05	1.2	3,200	0.44	15.5	29.4	0.118	24		
9A0624M401			14 to 27.6	0.04	0.96	2,600	0.36	12.7	19.6	0.079		

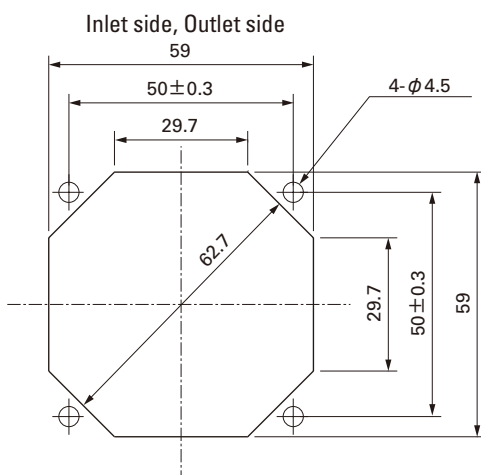
- Available options: ⇒ **Without Sensor**
- Please inquire as the availability of these functions depend on the model. ⇒ **Lock Sensor**

Dimensions (Unit : mm)

(With ribs)



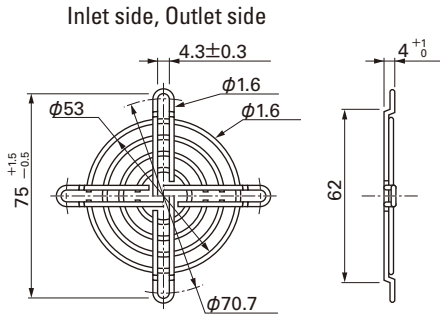
Reference dimension of mounting holes and vent opening (Unit : mm)



Options (Unit : mm)

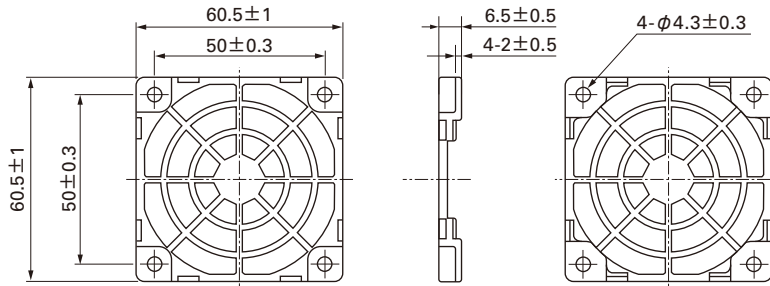
Finger guards

Model : 109-139E Surface treatment : Nickel-chrome plating (silver) Color
 : 109-139H : Cation electropainting (black)



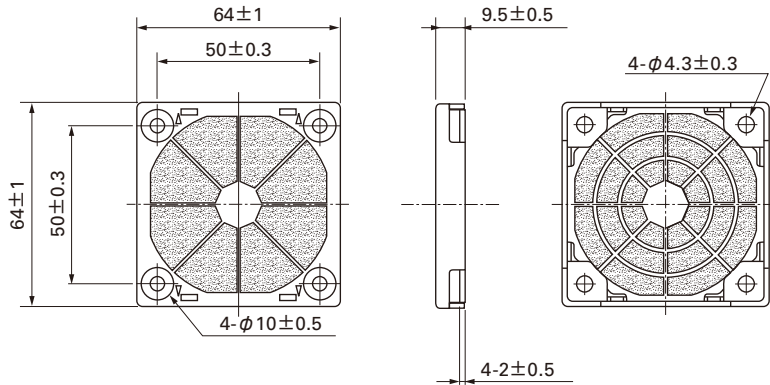
Resin finger guards

Model : 109-1003G

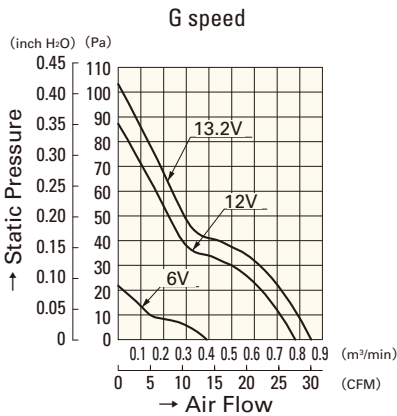


Resin filter kits

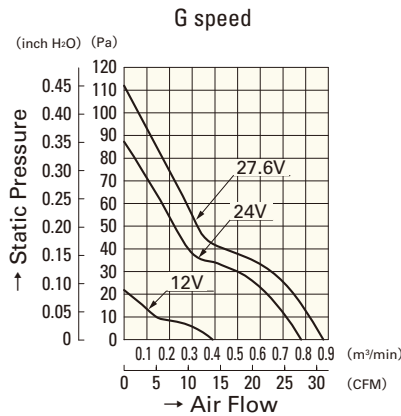
Model : 109-1003F13 (13PPI), 109-1003F20 (20PPI)
 : 109-1003F30 (30PPI), 109-1003F40 (40PPI)



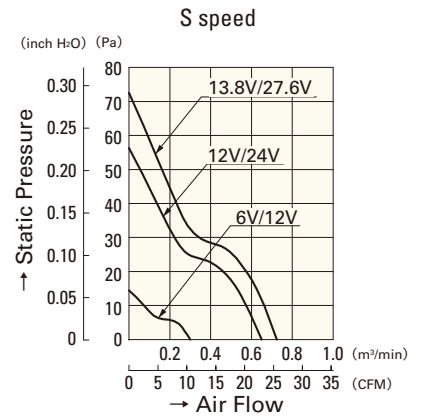
Air Flow - Static Pressure Characteristics



9A0612G401

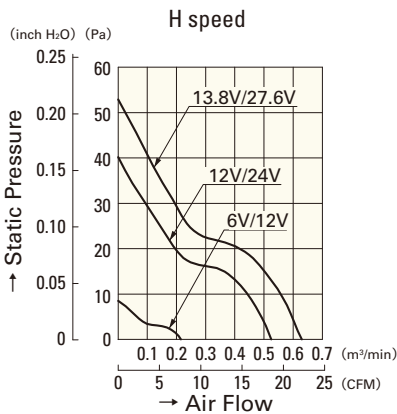


9A0624G401



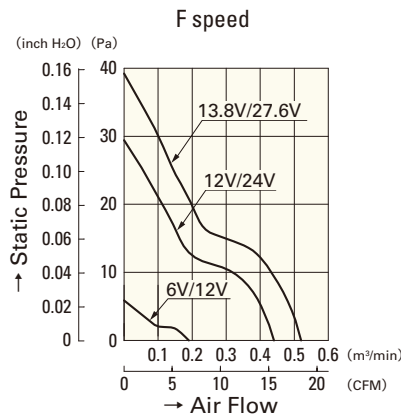
9A0612S401

9A0624S401



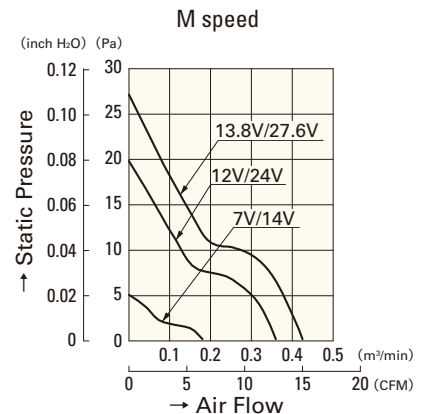
9A0612H401

9A0624H401



9A0612F401

9A0624F401



9A0612M401

9A0624M401